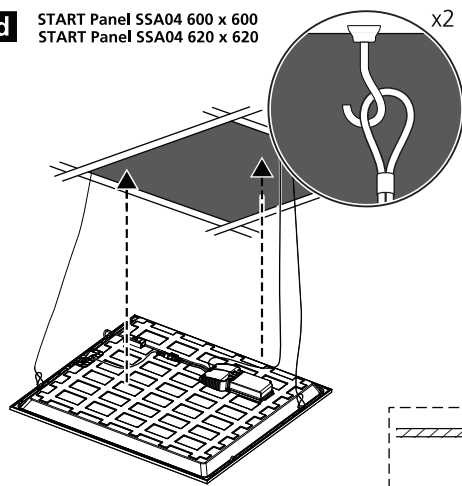
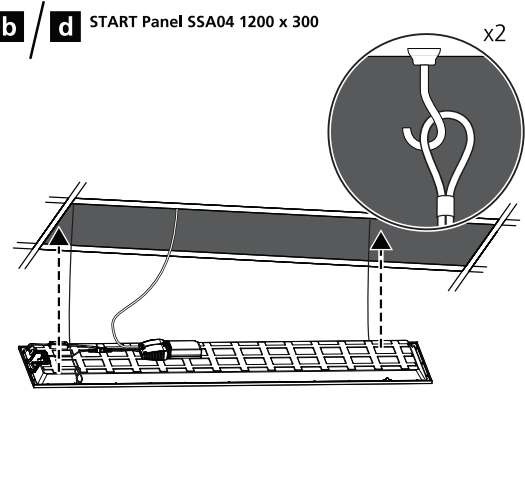


Factory Settings

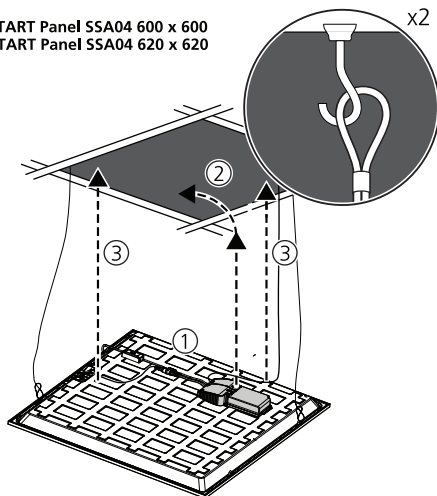
9A a / b / d START Panel SSA04 600 x 600
START Panel SSA04 620 x 620



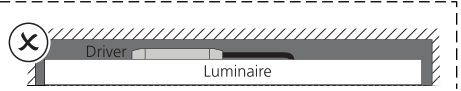
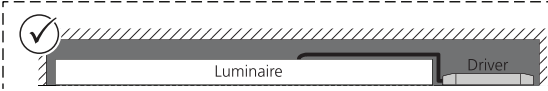
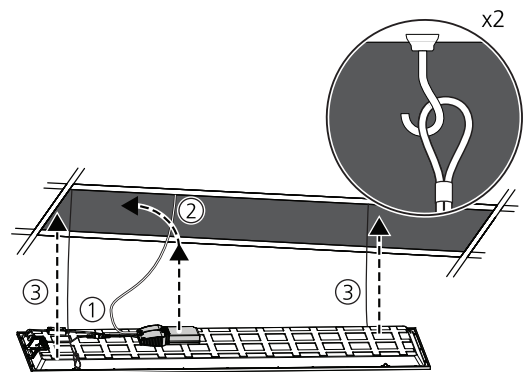
9B a / b / d START Panel SSA04 1200 x 300



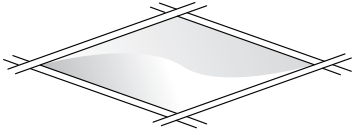
9A c START Panel SSA04 600 x 600
START Panel SSA04 620 x 620



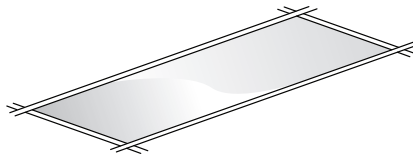
9B c START Panel SSA04 1200 x 300



10A START Panel 600 x 600
START Panel 620 x 620



10B START Panel 1200 x 300



! Y-type

